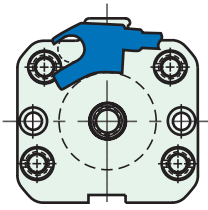
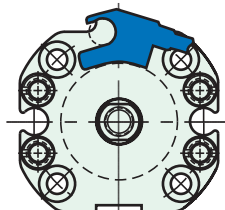


## MAGNETIC PISTON & HALL EFFECT SENSORS

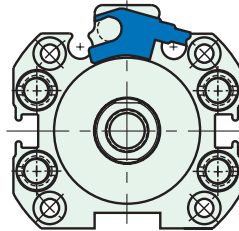
When ordered with the M option an extra rod is added to the AFO for mounting and positioning the switch.



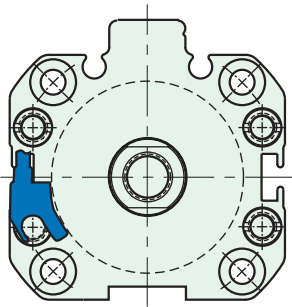
5/8" Bore



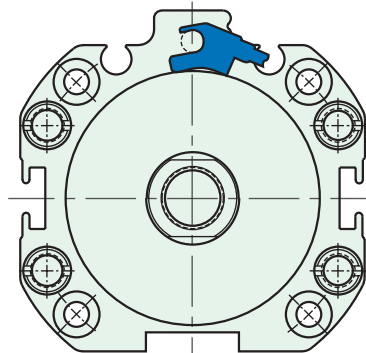
3/4" Bore



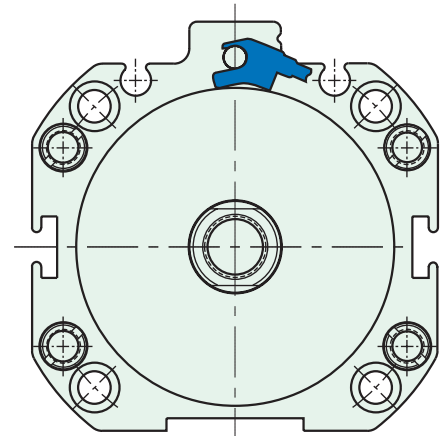
1 1/16" Bore



1 1/2" Bore



2" Bore



2 1/2" Bore

## HALL EFFECT SENSORS

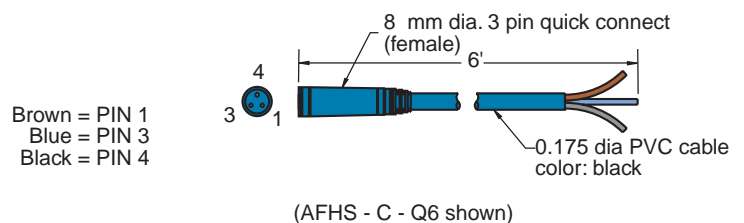
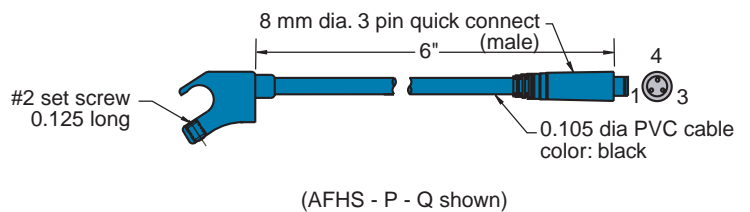
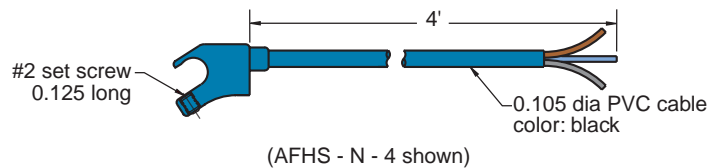
### Position Sensing Switch

Clippard offers the solid state circuitry of the Hall Effect Switch to reliably detect the presence of a magnet attached to the piston. Clippard's Hall Effect Switch incorporates an LED to visually show switch actuation. The Hall Effect Switch is offered in sinking (NPN) and sourcing (PNP) and with a variety of cable configurations.

### Locating Hall Effect Sensors on Cylinders

Cylinders ordered with magnetic pistons come with an additional attached rod\* on which the Hall Effect Switch can be attached. The Switch snaps onto the rod and can be slid into the desired location. A set screw is used to lock the Hall Effect Switch in place.

\* Additional rod is not used on 1 1/2" Bore Cyl. Hall Effect Switch can mount directly to any tie rod.



Brown = PIN 1  
Blue = PIN 3  
Black = PIN 4